

NOAHCARD RFID SOLUTIONS

THE WORLD'S LARGEST UHF RFID PARTNER



WHY CHOOSE NOAHCARD RFID?

As the world's largest UHF RFID partner, we provide solutions for multiple industries, from retail apparel and food to healthcare and aviation. Our integrated global RFID approach is proven to increase inventory accuracy, improve supply chain agility and enhance visibility across all channels.

When you choose NOAHCARD RFID, you can get field-proven inlay products, advanced research and testing capabilities, experienced engineering and technical resources, and, most importantly, a partner with a deep understanding of what it takes to make your application successful.

Sustainability is at the core of everything we do, from innovation and product design to development and production.

APPLICATIONS

- Retail: Apparel, accessories, cosmetics, jewelry, food and general retail
- Healthcare: Medical and pharmaceutical
- Transportation: Automotive and aviation
- Industrial logistics and manufacturing
- Brand protection and product authentication
- Supply chain, inventory and logistics
- Contactless cards and tickets
- Library, media, documents and files

With Noahcard RFID, you get the benefit of our relationships with best-in-class chip and reader manufacturers, label and tag converters and systems integrators across the globe. We can support you with the most challenging RFID projects across all channels, offering the total solution to meet your business needs.

For additional information, please contact:






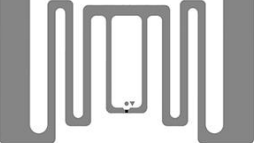



Telephone: 86-0755-23447516 86-18927477427


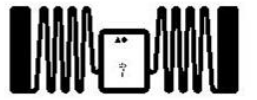

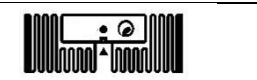
Email: sales@noahcard.com

UHF RFID INLAYS




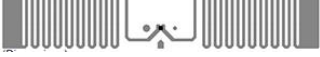




860-960 MHz, ISO-18000-6C, EPC Class 1 Gen 2

UHF Inlay List-Monza R6 Chips

	Model	Chip	Size	Antenna Picture	Common Applications
1	NY-M6001	Impinj Monza R6	70*14		<ul style="list-style-type: none"> - Cosmetics and item-level retail - Personal care products
2	NY-M6002	Impinj Monza R6	68*14		<ul style="list-style-type: none"> - Apparel and other item-level retail - Supply chain, inventory and logistics
3	NY-M6003	Impinj Monza R6	40*15		<ul style="list-style-type: none"> - Apparel and other item-level retail - Supply chain, inventory and logistics
4	NY-M6004	Impinj Monza R6	50*30		<ul style="list-style-type: none"> - Apparel and other item-level retail
5	NY-M6005	Impinj Monza R6	44.45*10.33		<ul style="list-style-type: none"> - Apparel and other item-level retail - Supply chain, inventory and logistics
6	NY-M6006	Impinj Monza R6	50*30		<ul style="list-style-type: none"> - Apparel and other item-level retail - Supply chain, inventory and logistics
7	NY-M6007	Impinj Monza R6	95*8		<ul style="list-style-type: none"> - Apparel and other item-level retail - Supply chain, inventory and logistics
8	NY-M6008	Impinj Monza R6	56*14		<ul style="list-style-type: none"> - Apparel and other item-level retail - Supply chain, inventory and logistics
9	NY-M6009	Impinj Monza R6	70*10		<ul style="list-style-type: none"> - Apparel and other item-level retail - Supply chain, inventory and logistics

10	NY-M6010	Impinj Monza R6	70*12		<ul style="list-style-type: none"> - Jewelry - Supply chain, inventory and logistics
11	NY-M6011	Impinj Monza R6	40*15		<ul style="list-style-type: none"> - Apparel and other item-level retail - Pharmaceutical and healthcare
12	NY-M6012	Impinj Monza R6	70*14		<ul style="list-style-type: none"> - Apparel and other item-level retail - Supply chain, inventory and logistics
13	NY-M6013	Impinj Monza R6	22*8		<ul style="list-style-type: none"> - Apparel and other item-level retail - Pharmaceutical and healthcare

UHF Inlay List-U CODE 7 Chips

	Model	Chip	Size	Antenna Picture	Common Applications
1	NY-U7001	NXP U CODE 7	95*8		<ul style="list-style-type: none"> - Apparel and other item-level retail - Supply chain, inventory and logistics
2	NY-U7002	NXP U CODE 7	70*9.5		<ul style="list-style-type: none"> - Cosmetics and item-level retail - Personal care products
3	NY-U7003	NXP U CODE 7	44.45*10.33		<ul style="list-style-type: none"> - Apparel and other item-level retail - Pharmaceutical and healthcare
4	NY-U7004	NXP U CODE 7	68*14		<ul style="list-style-type: none"> - Apparel and other item-level retail - Supply chain, inventory and logistics
5	NY-U7005	NXP U CODE 7	95*3		<ul style="list-style-type: none"> - Apparel and other item-level retail - Supply chain, inventory and logistics
6	NY-U7006	NXP U CODE 7	50*30		<ul style="list-style-type: none"> - Apparel and other item-level retail - Supply chain, inventory and logistics
7	NY-U7007	NXP U CODE 7	40*15.5		<ul style="list-style-type: none"> - Apparel and other item-level retail - Supply chain, inventory and logistics
8	NY-U7008	NXP U CODE 7	26*16		<ul style="list-style-type: none"> - Apparel and other item-level retail - Pharmaceutical and healthcare

Noahcard have produced the new label features the use of **Impinj's Monza R6-P RAIN** RFID tag chip, which is designed for serializing such items as apparel, electronics, cosmetics, pharmaceuticals and jewelry. The chips support privacy, loss-prevention and brand-protection capabilities for retailers and brand owners.

Impinj /NXP/Alien UHF Chip Memory

Model	User Memory	EPC Memory	TID	Serialized TID	Kill Passwords	Access Passwords	
Impinj	Monza 3	0	96	32	0	32	32
	Monza 4D	32	128	48	48	32	32
	Monza 4E	128	496	48	48	32	32
	Monza 4QT	512	128	48	48	32	32
	Monza 5	32	128	48	48	32	32
	MR6	0	96	48	48	0	0
	MR6-P	32(64)	128(96)	48	48	32	32
	MS6-C	32	96	48	48	32	32
NXP	U Code G2iL	0	128	32	32	32	32
	U Code 7	0	128	48	48	32	32
	U Code 7m	32	128	48	48	32	32
	U Code 7xm	1024	up to 448	48	48	32	32
	U Code 7xm+	2048	up to 448	48	48	32	32
	U Code DNA	3072	128	48	48	32	32
Alien	H3	512	96	32	64	32	32
	H4	128	128	32	64	32	32
	Higgs-EC(H5)	128	128	48	80	32	32

Noahcard Intelligent Technology Co., Ltd

---Specialized manufacturer of smart cards,RFID and adhesive labels series products

Email:sales@noahcard.com

Tel:86-0755-23447516 0755-89315886



www.noahcard.com